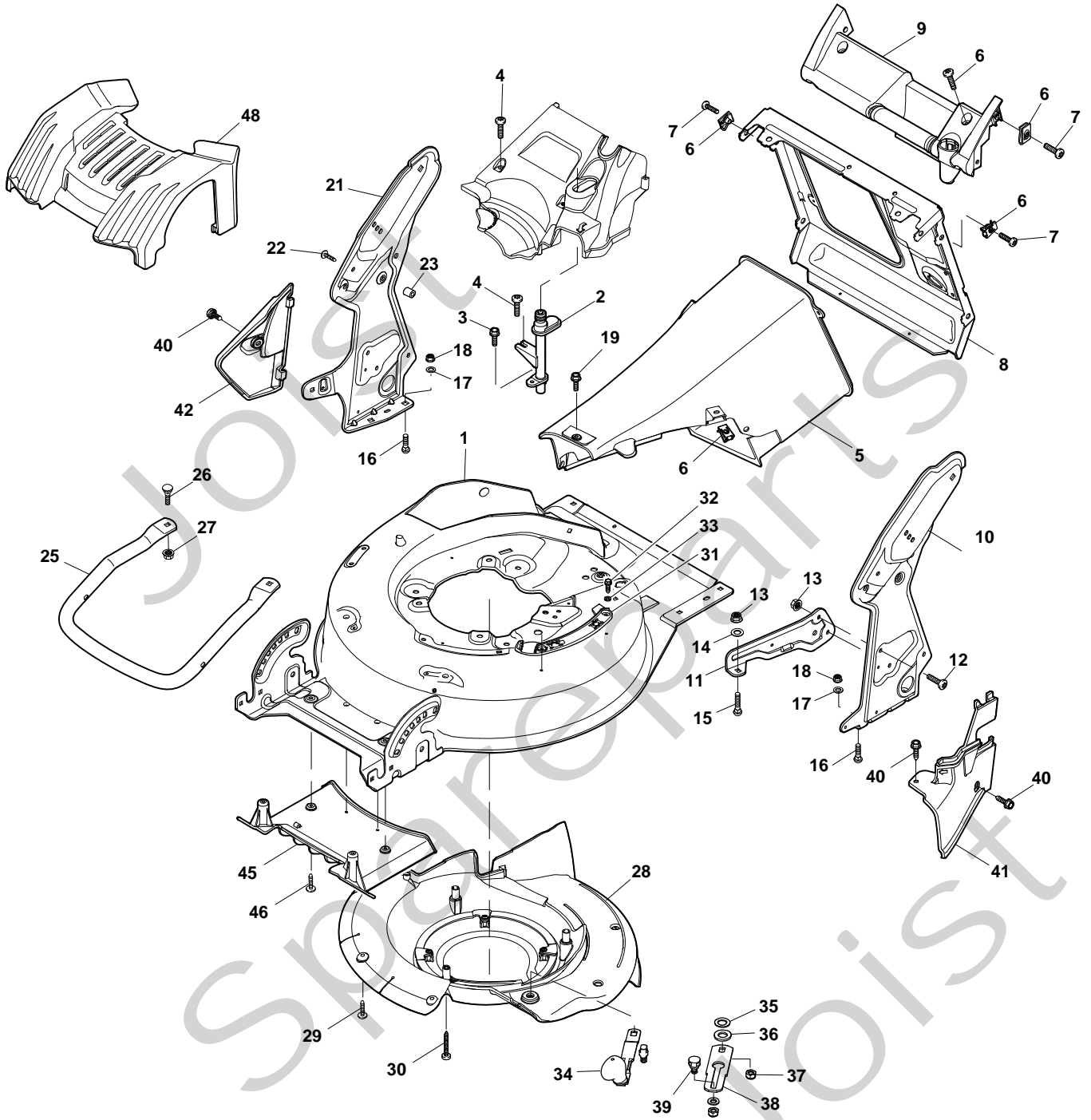


Genuine Spare Parts

**TURBO EXCEL 50
4S INOX H**

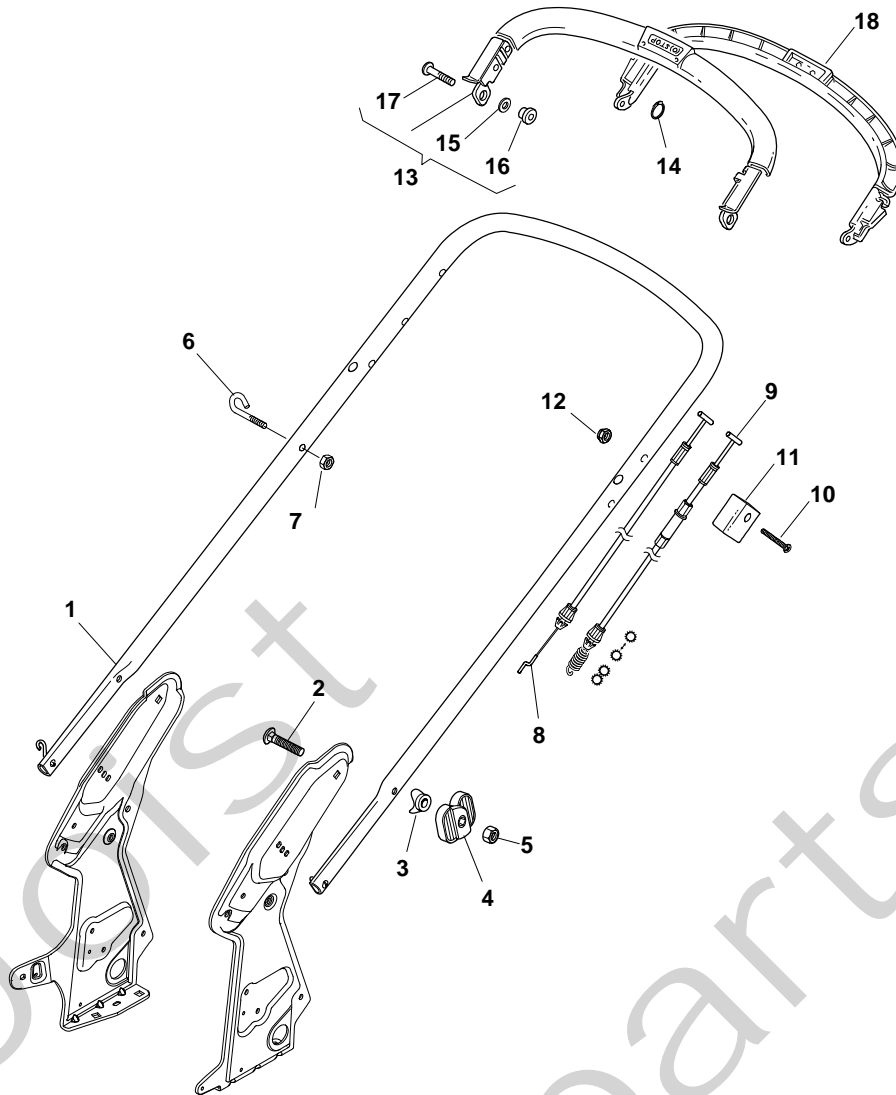




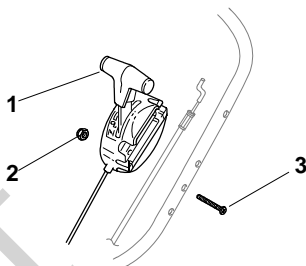


TURBO EXCEL 50 4S INOX H - Model Year 2009

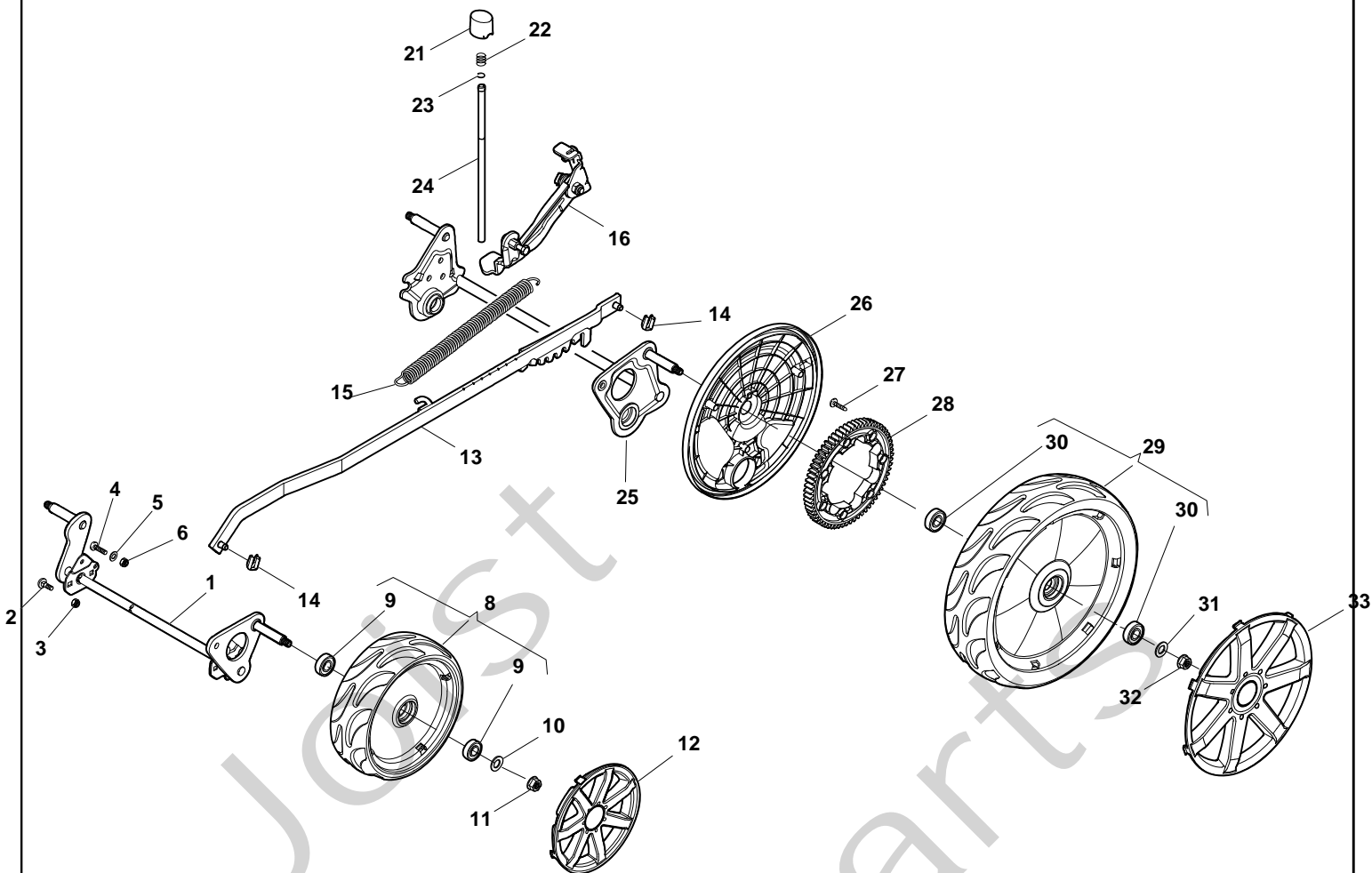
Pos. Fig.	Antal Quantity	Art No Part No	Benämning	Description	Anmärkning Notes
1	1	322064706/0	Chassi	Deck INOX	
1	1	381003852/0	Chassi	Deck Grey	
2	1	322034001/0	Slanganslutning	Washing Connection	
3	1	125943004/0	Skruv	Screw	
4	2	112727802/0	Skruv	Screw	
5	1	322108290/0	Inmatningstratt	Conveyor Yellow	
6	10	112437507/0	Plåt	Plate	
7	8	112727802/0	Skruv	Screw	
8	1	381545321/0	Platta	Rear Plate	
8	1	381545323/0	Platta	Rear Plate	
9	1	322785282/0	Stöd	Support	
10	1	381545327/0	Fäste-vä	Bracket, L	
11	1	322545191/0	Stöd	Support	
12	2	112727803/0	Skruv	Screw	
13	2	12154510/0	Mutter	Nut	
14	1	12521330/0	Bricka	Washer	
15	1	12815200/0	Skruv	Screw	
16	4	12818690/0	Skruv	Screw	
17	4	12521350/0	Bricka	Washer	
18	4	12155000/0	Mutter	Nut	
19	1	12729601/1	Skruv	Screw	
21	1	381545325/0	Fäste-hö	Bracket, R	
22	2	112735662/1	Skruv	Screw	
23	2	122534128/0	Pin	Pin	
25	2	381393701/0	Hjulskydd	Protection	
26	2	12815205/0	Skruv	Screw	
27	2	12154510/0	Mutter	Nut	
28	1	381102200/0	Skydd	Protection	
29	2	125943004/0	Skruv	Screw	
30	3	112735115/0	Skruv	Screw	
31	1	322500052/1	Glidblock	Shoe	
32	2	12731580/0	Skruv	Screw	
33	2	12521331/0	Bricka	Washer	
34	1	381003338/0	Arm	Lever	
35	1	21660100/0	Bricka	Washer	
36	1	12521370/0	Bricka	Washer	
37	1	12293201/0	Mutter	Nut	
38	1	322320009/0	Arm	Lever	
39	1	122042022/0	Bussning	Bush	
40	3	125943004/0	Skruv	Screw	
41	1	322109826/0	Skydd	Guard Black	
42	1	322109825/0	Skydd	Guard Black	
45	1	322500100/0	Air Intake Grill	Air Intake Grill	
46	6	112728706/0	Skruv	Screw	
48	1	322226135/0	Frontklpa-gul	Mask, Yellow	



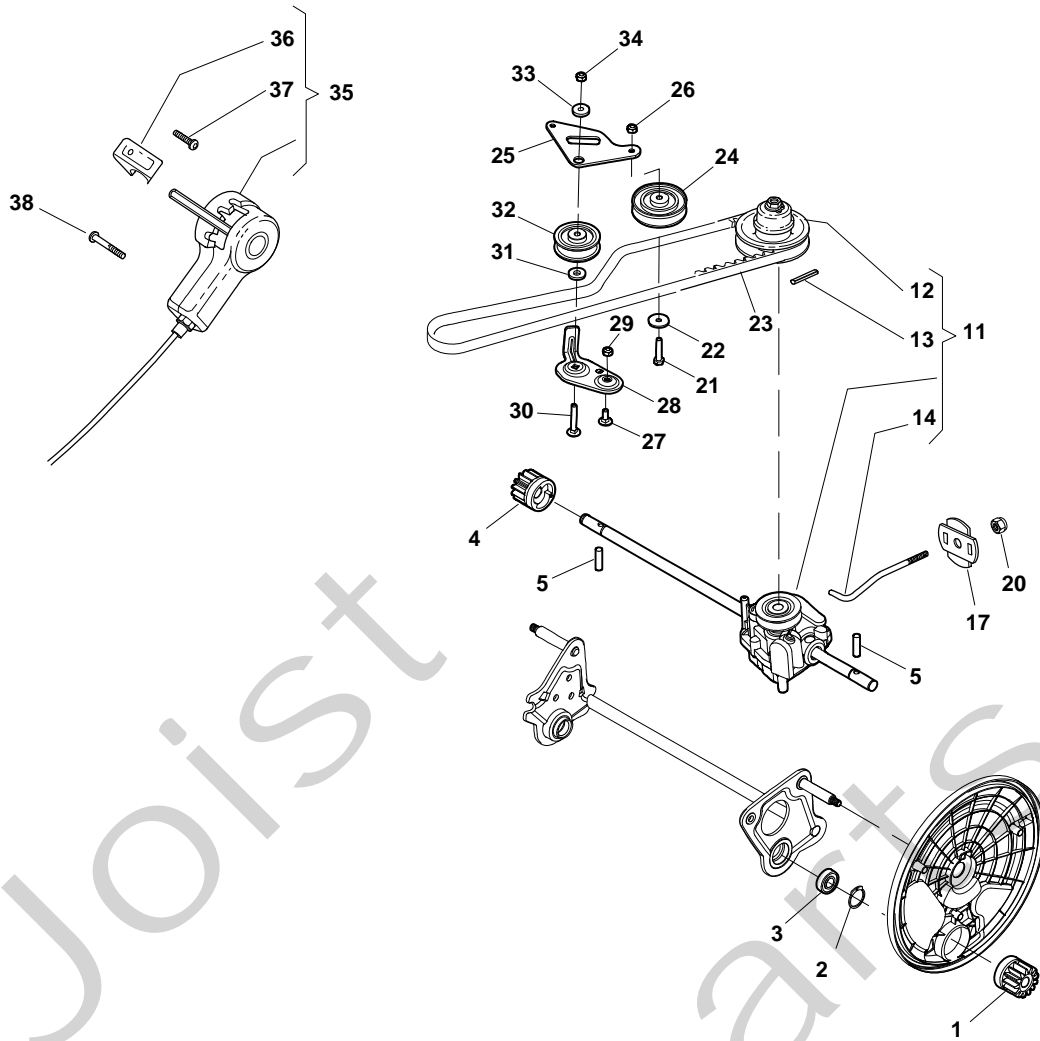
Pos. Fig.	Antal Quantity	Art No Part No	Benämning	Description	Anmärkning Notes
1	1	381006877/0	Styre-överdel	Handle, Upper Part	
2	2	12819120/0	Skruv	Screw	
3	2	22680006/1	Bricka	Washer	
4	2	22399803/0	Knopp	Knob	
5	2	12293200/0	Mutter	Nut	
6	1	22430313/0	Ögla	Guide Spring	
7	1	12154510/0	Mutter	Nut	
8	1	181030041/0	Motorbromswire	Cable, Thread Engine Brake	Turbo Excel 50S H - Turbo Excel 50 4S Inox H
8	1	181030041/0	Motorbromswire	Cable, Thread Engine Brake	
8	1	181030043/0	Motorbromswire	Cable, Thread Engine Brake	Turbo Excel 50S B - Turbo Excel 50S Inox B
8	1	181030043/0	Motorbromswire	Cable, Thread Engine Brake	Turbo Excel 50S - Turbo Excel 50 4S - Turbo Excel 50SE
9	1	381030048/0	Kopplingswire	Cable, Rear Drive	
10	2	12689500/0	Skruv	Screw	
11	1	22551640/0	Wirefäste	Plate	
12	1	12154510/0	Mutter	Nut	
13	1	381003330/0	Reglagebygel	Lever, Engine Brake	
14	2	12000930/0	Låsring	Snap Ring	
15	2	12523010/0	Bricka	Washer	
16	2	22041960/0	Bussning	Bush	
17	2	122524328/0	Sprint	Pin	
18	1	81003297/1	Reglagebygel-drivning	Driving Lever	



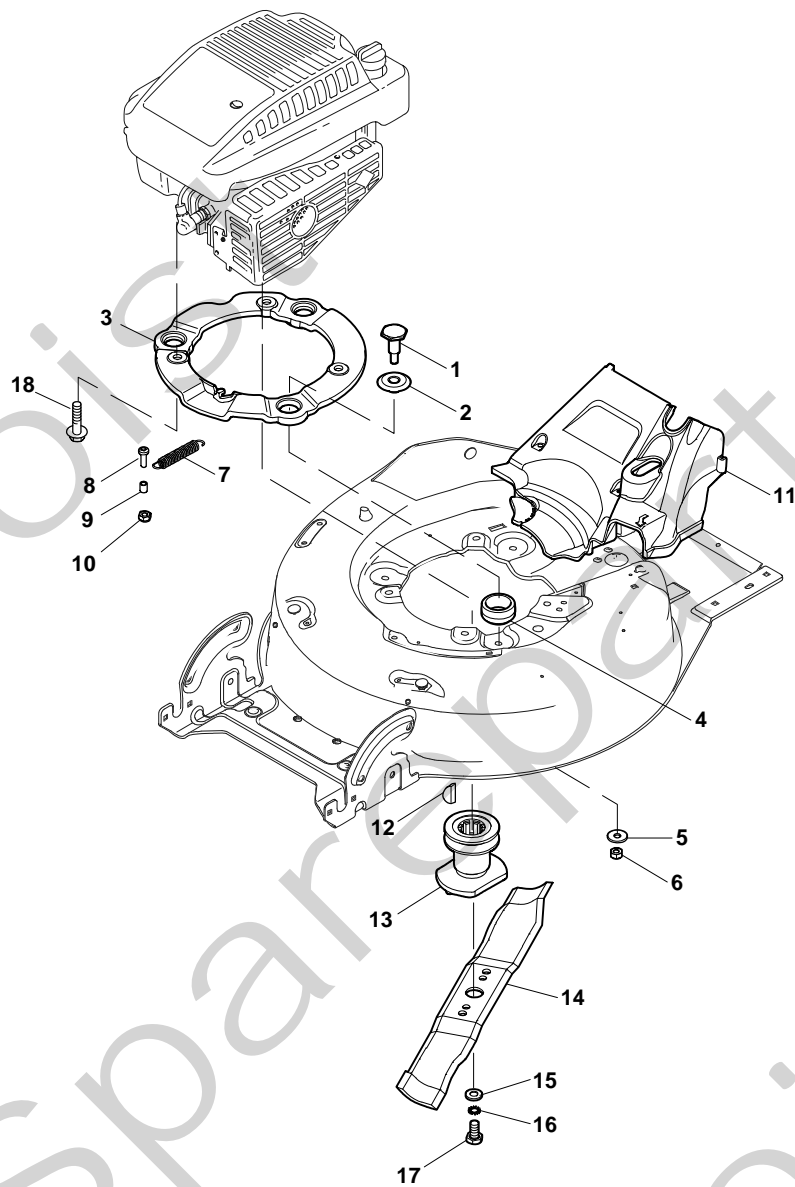
Pos. Fig.	Antal Quantity	Art No Part No	Benämning	Description	Anmärkning Notes
1	1	81007130/0	Gaswire	Cable, Trottle	
2	1	12154510/0	Mutter	Nut	
3	1	12727786/0	Skruv	Screw	



Pos. Fig.	Antal Quantity	Art No Part No	Benämning	Description	Anmärkning Notes
1	1	381002869/0	Hjulaxel	Axle, Front Wheels	
2	4	12815205/0	Skruv	Screw	
3	4	12154510/0	Mutter	Nut	
4	2	112727799/0	Skruv	Screw	
5	2	12523040/0	Bricka	Washer	
6	2	12154510/0	Mutter	Nut	
8	2	381007394/0	Stödhjul	Wheel D.210	
9	4	19216035/0	Lager	Bearing	
10	2	12521350/0	Bricka	Washer	
11	2	12155000/0	Mutter	Nut	
12	2	322110597/0	Navkapsel	Hub Cap	
13	1	381002027/0	Höjdställn.stång	Rod, Height Adjustment	
14	2	112436051/0	Plåt	Plate	
15	1	122450459/0	Fjäder	Spring	
16	1	381003337/0	Höjdst.spak	Lever, Height Adjustment	
21	1	322602012/0	Tryckring	Button	
22	1	122450462/0	Fjäder	Spring	
23	1	12000930/0	Låsring	Snap Ring	
24	1	122033351/0	Stång	Rod	
25	1	381002873/0	Hjulaxel	Axle, Rear Wheels	
26	2	322600179/0	Hjulsydd	Protection, Wheel	
27	6	12728691/0	Skruv	Screw	
28	2	322120113/0	Ringdrev	Ring Gear	
29	2	381007396/0	Stödhjul	Wheel D.300	
30	4	19216035/0	Lager	Bearing	
31	2	12521350/0	Bricka	Washer	
32	2	12155000/0	Mutter	Nut	
33	2	322110598/0	Navkapsel	Hub Cap	



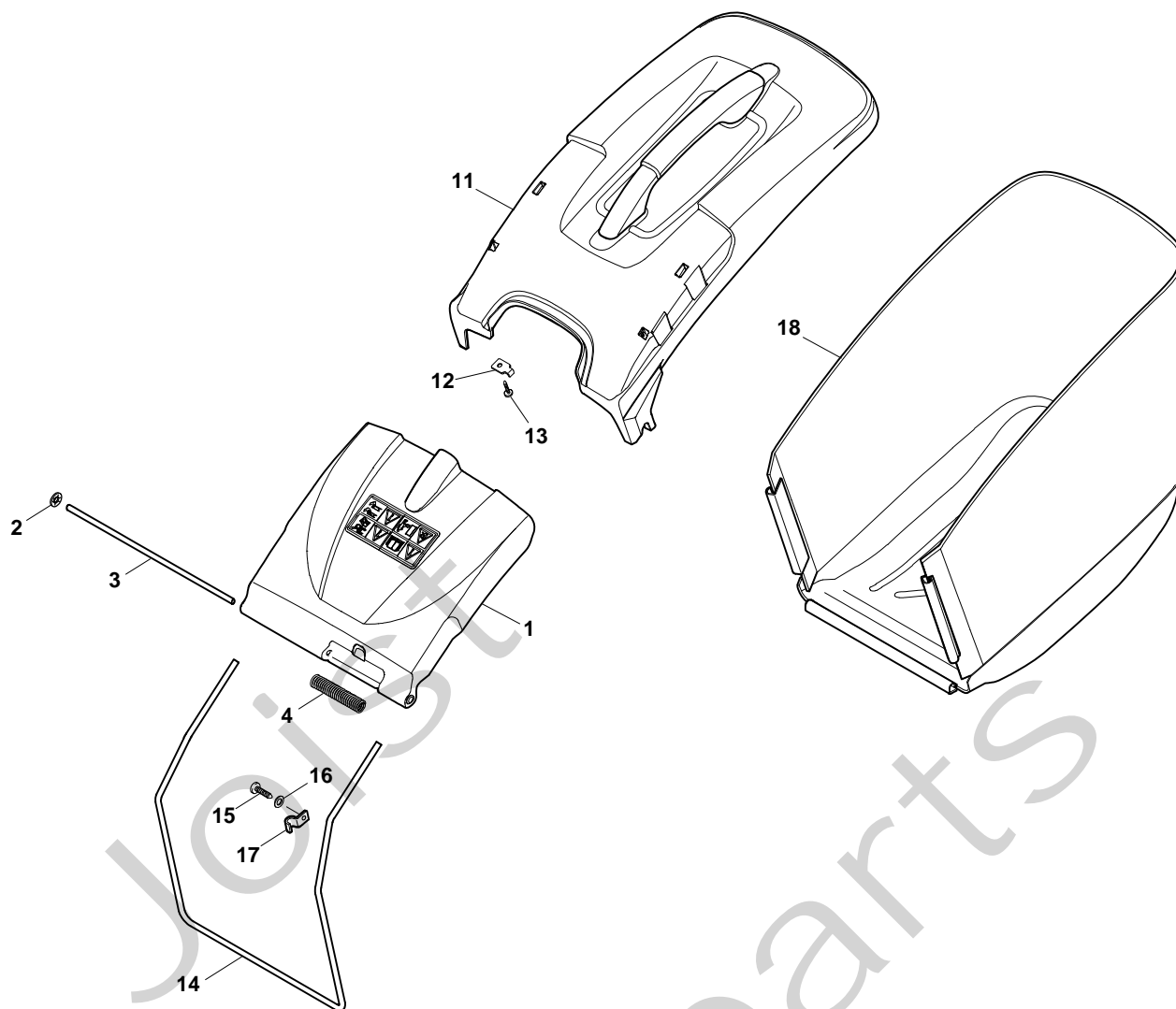
Pos. Fig.	Antal Quantity	Art No Part No	Benämning	Description	Anmärkning Notes
1	1	122570131/0	Drev	Pinion L	
2	4	12608600/0	Låsring	Snap Ring	
3	2	19216035/0	Lager	Bearing	
4	1	122570132/0	Drev	Pinion R	
5	2	22753000/0	Stift	Pin	
11	1	181003104/0	Transmission	Gear Box	
12	1	122601925/0	Remskiva	Pulley	
13	1	12645700/0	Stift	Pin	
14	1	122033289/0	Höjdställn.stång	Adjustment Rod	
16	2	22753000/0	Stift	Pin	
17	2	22675113/0	Bricka	Washer	
20	1	12154510/0	Mutter	Nut	
21	1	12674550/0	Skruv	Screw	
22	1	12523050/0	Bricka	Washer	
23	1	135064384/0	Drivrem	Belt	
24	1	22601914/0	Spännrulle	Pulley	
25	1	322322835/0	Arm	Lever	
26	1	12154510/0	Mutter	Nut	
27	1	12815200/0	Skruv	Screw	
28	1	322806637/0	Stöd	Support	
29	1	12154510/0	Mutter	Nut	
30	1	12815240/0	Skruv	Screw	
31	1	22671653/0	Bricka	Washer	
32	1	22601915/0	Spännrulle	Pulley	
33	1	22671656/0	Distans	Washer	
34	1	12154510/0	Mutter	Nut	
35	1	381007189/0	Variatorreglage	Cable, Speed Drive Control	
36	1	22399809/0	Knopp	Knob	
37	2	12728300/0	Skruv	Screw	
38	2	12728702/0	Skruv	Screw	



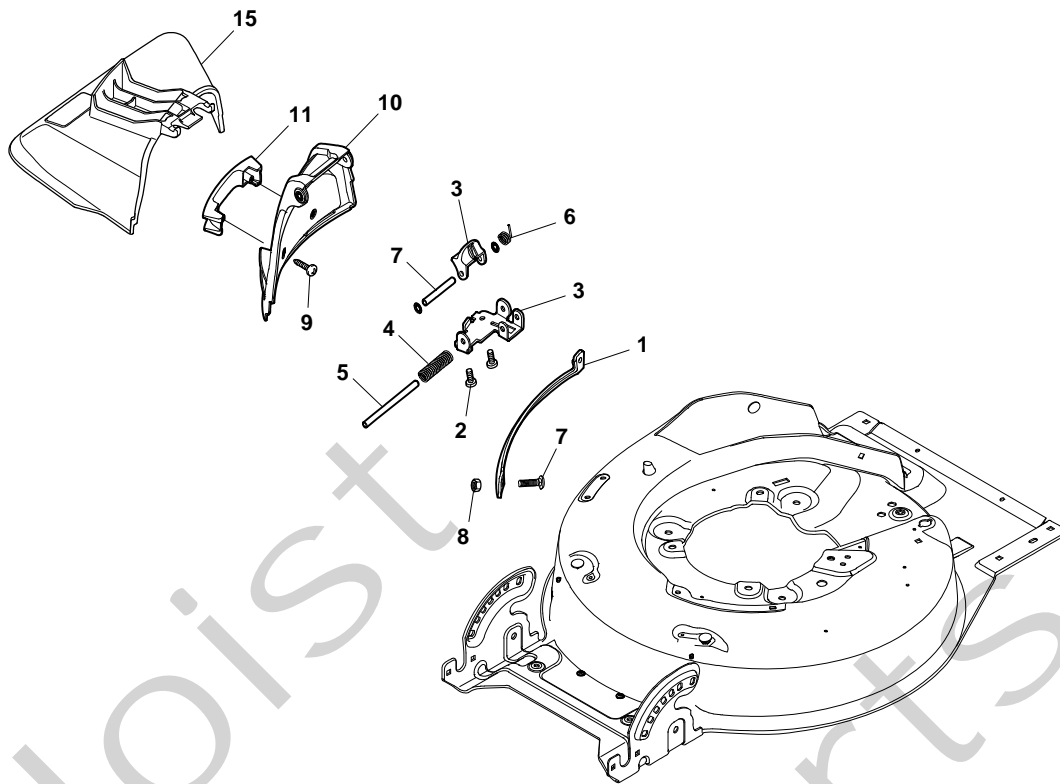


TURBO EXCEL 50 4S INOX H - Model Year 2009

Pos. Fig.	Antal Quantity	Art No Part No	Benämning	Description	Anmärkning Notes
1	3	122519816/0	Sprint	Pin	
2	3	22672201/0	Bricka	Washer	
3	1	322207226/0	Fläns	Flange	
4	3	322250014/0	Hylsa	Grommet	
5	3	12521350/0	Bricka	Washer	
6	3	12155000/0	Mutter	Nut	
7	1	122450461/0	Fjäder	Spring	
8	1	112727801/0	Skruv	Screw	
9	1	122170846/0	Distans	Spacer	
10	1	12154510/0	Mutter	Nut	
11	1	322060230/0	Skydd	Protection	
12	1	12139100/0	Kil	Key	
12	1	12139150/0	Kil	Feather	
13	1	122465638/0	Knivfäste	Hub With Pulley, Crankshaft D.22.2	
13	1	122465639/0	Knivfäste	Hub With Pulley, Crankshaft D.25	
14	1	181004368/0	Kniv	Blade	
15	1	22160400/0	Bricka	Elastic Washer	
16	1	12523080/0	Bricka	Washer	
17	1	12736815/0	Skruv	Screw	
18	3	112735108/1	Skruv	Screw	



Pos. Fig.	Antal Quantity	Art No Part No	Benämning	Description	Anmärkning Notes
1	1	322600180/0	Lucka	Stone-Guard	
2	2	12604899/0	Låsbricka	Crown Fastener	
3	1	122517863/0	Sprint	Pin	
4	1	122450455/0	Fjäder	Spring	
11	1	381486006/0	Uppsamlare-överdel	Grass-Box, Upper	
12	2	322545159/0	Plåt	Plate	
13	2	12728689/0	Skruv	Screw	
14	1	122608542/0	Trådbygel	Stiffening Lower	
15	2	12728689/0	Skruv	Screw	
16	2	12521320/0	Bricka	Washer	
17	2	325774220/0	Plåt	Plate	
18	1	181002298/0	Uppsamlingsäck	Box, Fabric	



Pos. Fig.	Antal Quantity	Art No Part No	Benämning	Description	Anmärkning Notes
1	1	322109553/0	Skydd	Guard	
2	2	112727803/0	Skruv	Screw	
3	1	322783010/0	Tryckring	Button	
4	1	122450456/0	Fjäder	Spring	
5	1	122517864/0	Sprint	Pin	
6	1	322783010/0	Tryckring	Button	
7	1	122517866/0	Sprint	Pin	
8	1	322806635/0	Vridpunkt	Fulcrum Pin	
9	2	112728706/0	Skruv	Screw	
10	1	322600181/0	Ejection Guard	Ejection Guard	
11	1	322393633/0	Handtag	Handle	
15	1	322108289/0	Ejection Guard	Ejection Guard	